

# AMCARGOBIKES

*Cargo bike enthusiasts, since 1992*

## ELECTRIC LONG JOHN



### ASSEMBLE INSTRUCTIONS

Read and understand these instructions before you begin the assembly. The bike comes partly assembled, and it is important to read the manual carefully before starting assembly, so the bicycle will be assembled in the correct order. It is recommended to be two people to assemble the cargo bike. Be aware that the bike must be re-tightened after some weeks of use. Make sure to check all parts of the bike and re-tighten all screws and bolts.



1. Handle bar brake lever

2. Gear shift

3. Brake lever

4. Box

5. Corner iron

6. Front light

7. Front wheel

8. Front brake

9. Fork

10. Turning rod

11. Park Frame

12. Frame

13. Chain cover

14. Chainwheel and crank

15. Pedal

16. Rear wheel

17. Rear fender

18. Rear reflector

19. Seat post lock

20. Seat post

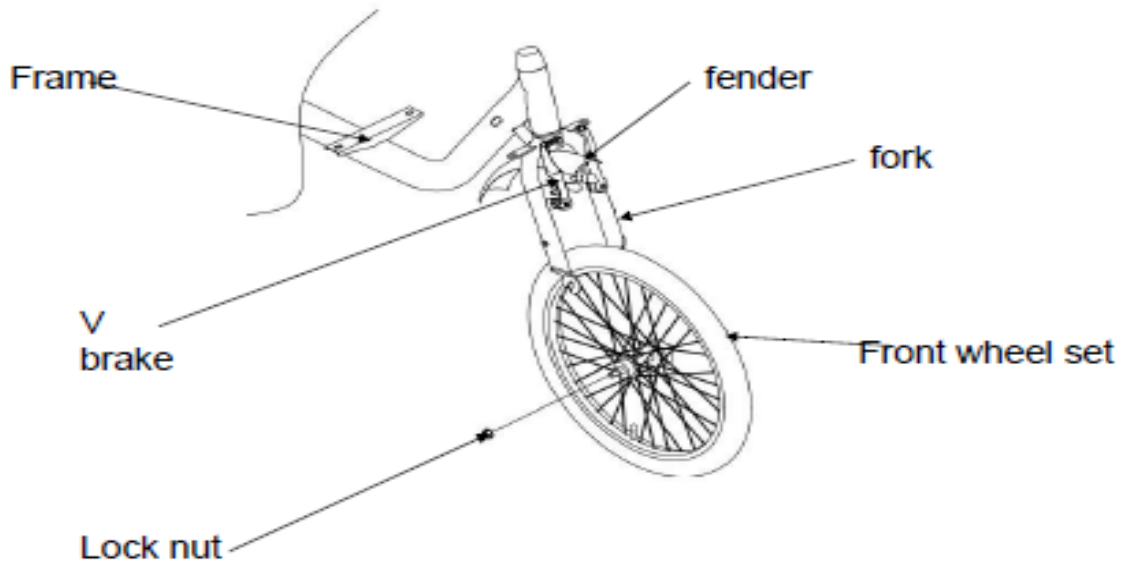
21. Saddle

22. Rubber Band

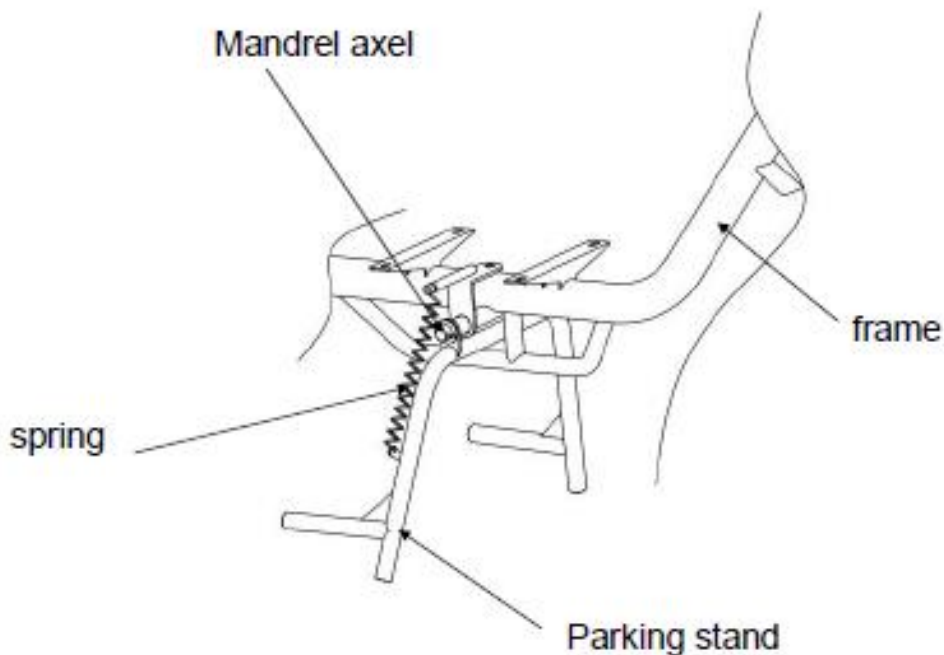
23. Carrier

24. Front fender

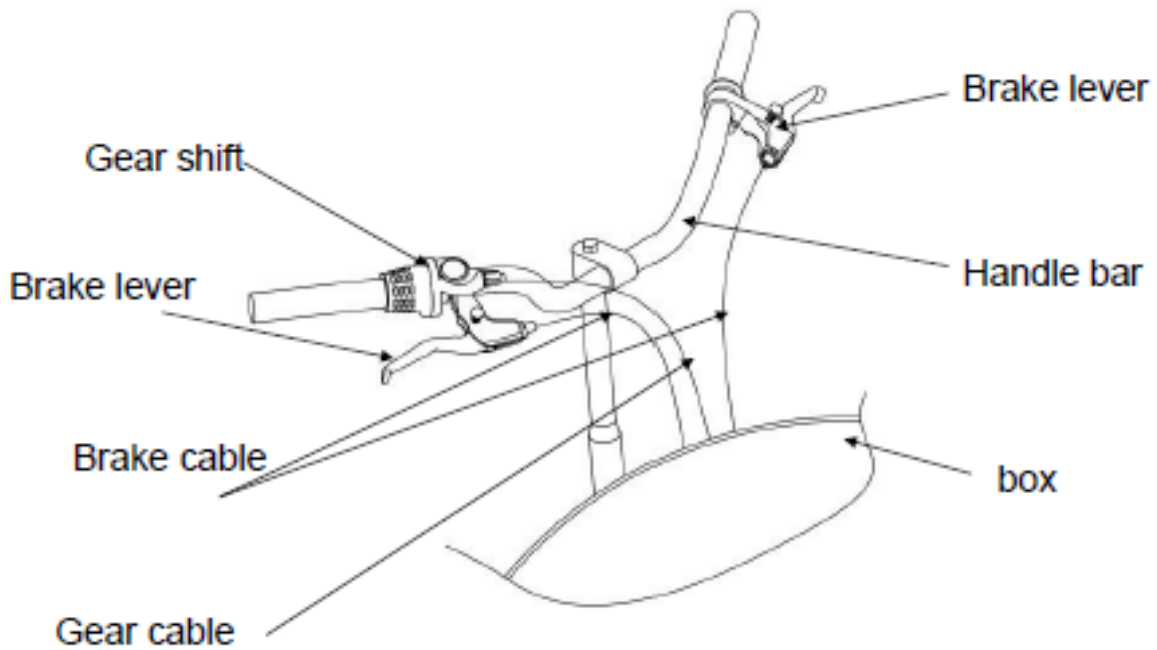
Assemble the fender onto the fork as shown in figure below, and then put the wheel set between fork legs and lock it as figure 2. Adjust the V brake and brake cable length and lock it.



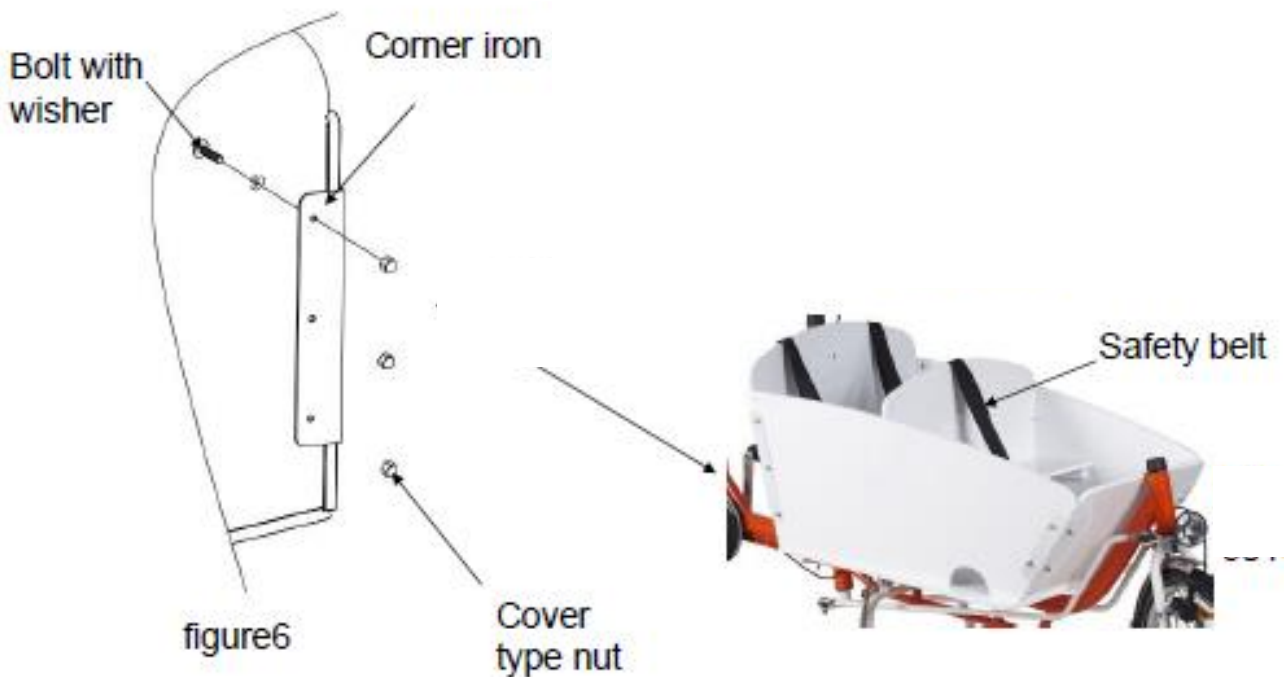
Assemble the parking stand on to the frame and lock it. And then pull on the spring as shown in figure 4.



Assemble the handle bar as shown in figure below, adjust the height and lock it.



Assemble the box as shown in figure 6 and fix it with bolt, fix the safety belt on the box.



Insert seat post into the seat and lock it with nut as show in figure 9.

Put another end of post into the frame seat tube and lock the post lock. (Note: Safety line must be under the seat post lock )

